



# Leak-free transformer tank wall feedthrough

- Helps ensure proper probe installation
- Can be mounted anywhere

## Product Summary

**Description** Provides leak-free, long term connection between the inside fiber probe (CAB-699) and outside extension cable (CAB-700) through transformer tank walls. Designed to mate with other QUALITROL direct winding transformer accessories.

**Application** For passing fiber optic signal through the tank wall plate (PLT-202 or PLT-201) or enclosure of oil-filled and dry type power transformers.





## Leak-free transformer tank wall feedthrough

- Glass-to-metal bonding technique insures no leaking between connector and inside of transformer tank
- Glass-to-metal bonding eliminates need for epoxy bonding or O-rings, which require maintenance and tend to fail
- Hundreds have been installed over time with not even one reported leak
- Made standard with ¼ inch NPT male bulkhead, 18 ANSI threads per inch

## Helps ensure proper probe installation

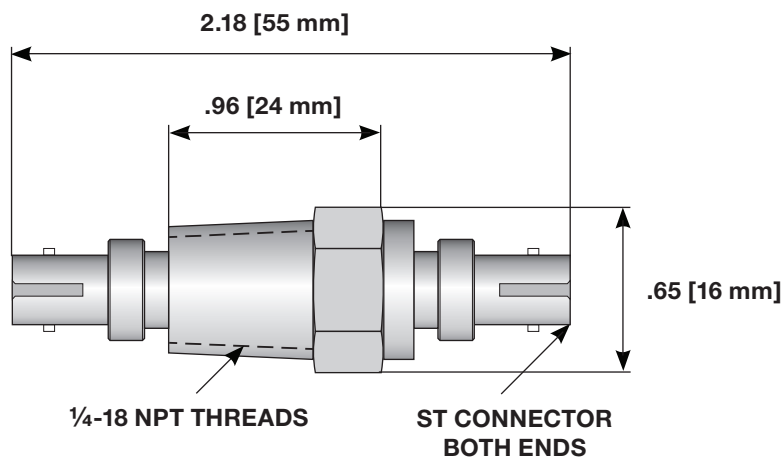
- Enables probe installation without carrying bulky mechanical weight at probe end
- Reduces chances of probe breakage during installation
- ST type connectors resist failure due to vibration

## Can be mounted anywhere

- Designed specifically for oil filled or dry-type transformers; can be mounted on any part or location on transformer
- Survives full vacuum or pressure (up to 200 PSI)

### TECHNICAL SPECIFICATIONS

<b>Environmental</b>	Operating temperature	-80°C to 200° C (-112° F to 392° F)
	Maximum pressure	16 bar (200 PSI)
<b>Mechanical</b>	NPT size	¼-18 NPT
	Threads	Standard ANSI/ASME B1.20.1 tapered threads (1° 47')



## About QUALITROL®

QUALITROL manufactures substation transformer monitoring and protection devices used by electric utilities and manufacturing companies. It is the global leader in sales and installations of transformer asset protection equipment, fault recorders and fault locators. Established in 1945, QUALITROL produces thousands of different types of products on demand, each customized to customers' unique requirements.

©2008 QUALITROL® Company LLC, an ISO 9001 certified company. All rights reserved. Information subject to change without notice. All trademarks are properties of their respective companies, as noted herein. AP-M09-05L-01E.